



Scully Sockets: Truck Mounted Overfill Prevention System Connectors

Featuring Complete Loading Rack Compatibility

DESCRIPTION

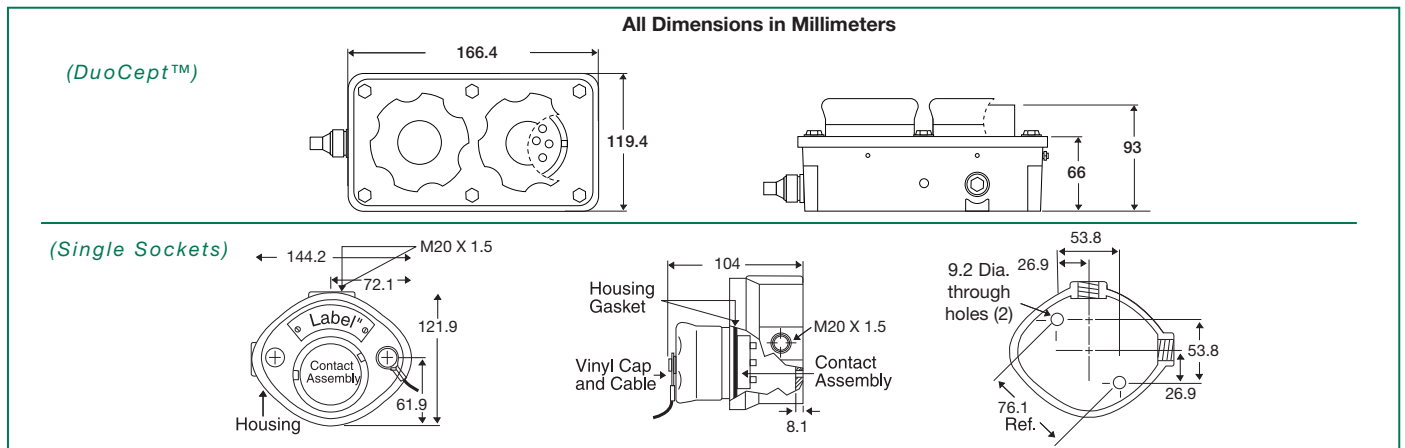


Scully Sockets are part of a complete vehicle mounted overfill prevention and grounding system. With over 90% of loading racks using Scully Overfill Prevention Control Systems, Scully sockets offer you the compatibility you need at any terminal. The style of the plug at each facility that your vehicles load at should be considered to ensure a compatible connection. Scully Sockets provide the connection interface between Scully On-board monitors / sensors and the terminal loading rack. With durable construction and stainless steel contact pins, they are made to withstand harsh weather and road conditions.

The DuoCept™ includes two socket interfaces, one optic and one thermistor in one, lightweight, easy-to-install weather resistant housing. Duocept models can include a factory installed Truck Identification Module (T.I.M.).

FEATURES AND BENEFITS

- Compatible with Scully rack monitors - The #1 choice worldwide.
- Socket styles for compatibility with all loading rack plug styles.
- Durable construction to withstand the rigors of road travel.
- Stainless steel contact pins for long-lasting performance.
- Easy gripping vinyl protective cap included.
- Internal mounting holds and M20 x 1.5 threaded conduit entry holes for ease and flexibility during installation.
- The Duocept™ features two pre-wired sockets in one powder coated enclosure with anodized socket connectors to reduce weight, installation time and withstand harsh weather and road conditions.



TECHNICAL SPECIFICATIONS

(DuoCept™)

Materials:

- Housing:** Aluminum casting with gray powder coated finish.
- Socket Connector Outer Ring:** Black anodized aluminum.
- Dust Cap:** Molded vinyl.
- Wiring Harness:** 3m (10') Oil/Weather Resistant Cable.
- Contacts:** Stainless Steel.
- Size:** Refer to diagram.
- Weight:** 2.6 kg. (5.7 lbs.).

(Single Sockets)

Materials:

- Socket body:** Die cast zinc.
- Housing:** Zinc/aluminum alloy.
- Insulator:** Glass filled polycarbonate.
- Dust Cap:** Molded vinyl.
- Conduit Entry:** Two M20 x 1.5 threaded entry holes.
- Contacts:** Stainless Steel.
SAE J560 style: zinc plated brass.
- Size:** Refer to diagram.
- Weight:** 1.9 kg. (4.2 lbs.).



Scully Sockets: Truck Mounted Overfill Prevention System Connectors

ORDERING INFORMATION

Scully sockets are designed for use with Scully 5 wire and 2 wire optic sensors and IntelliCheck® Overfill Prevention Systems. When ordering sockets, determine the style of plug and type of overfill prevention control system at each terminal where your tank trucks load.

Scully 5-Wire Optic Sockets



SJ-OB 5-Wire
Optic Socket
10 Pin
Part# 08509



SJ-6W 5-Wire
Optic Socket,
6 Pin
Part# 08813



FGE SJ-6W
5-Wire Optic Socket,
6 Pin,
Pressure Switch
Part# 09361



FGE SJ-OB
5-Wire Optic
Socket, 10 Pin,
Pressure Switch
Part# 09364

Scully 2-Wire Optic Socket



SJ-8OB 2-Wire
Optic Socket,
10 Pin
Part# 08646

Scully Thermistor Socket



SJ-8B
Thermistor Socket
10 Pin,
M20 X 1.5 Entry Holes
Part# 08661

Scully DuoCept™



Part# 09514

Replacement Parts Description	Part Number
<i>Each front plate assembly includes: faceplate, contact insert assembly, gasket, vinyl cap & hardware</i>	
Front Plate Assembly, SJ-6W Socket, 6 Pin	21790
Front Plate Assembly, SJ-8B Socket, 10 Pin	22321
Front Plate Assembly, SJ-8OB Socket, 10 Pin	31276
Front Plate Assembly, SJ-OB Socket, 10 Pin	31900
Cap & Cable Assembly, Blue Vinyl	08575
Cap & Cable Assembly, Green Vinyl	08574
Contact Insert Assembly, 10 Pin	20759
Contact Insert Assembly, 6 Pin	21771
Faceplate & Label, SJ-8B (no contact assembly)	08512
Faceplate & Label, SJ-8OB (no contact assembly)	08645
Gasket, Neoprene, Socket Housing	20628
Housing, all socket models, M20 x 1.5 Entry Holes	31314
Replacement Pin & Screws	07783
Wire Pin Kit, Bag of 10 pieces	08318

Copyright © 2023 Scully Signal Company. Dynacheck, Dynamic Self-Checking, Dynamic Self-Testing, Faysafe, Instant-On, IntelliCheck, Intellitrol, Load-Anywhere, are registered trademarks of Scully Signal Company. All Rights Reserved. Specifications are subject to change without notice.

02-5A
June 2023



Scully Signal Company
800 272 8559
sales@scully.com
Wilmington, MA, USA

Scully Systems Europe NV
+32 (0) 15 56 00 70
sales@scully.be
Mechelen, Belgium

Scully UK Ltd
+44 (0) 1606 553805
sales@scullyuk.com
Winsford Cheshire, UK

Scully Systems India
+91 9821799566
salesindia@scully.com
Maharashtra, India

Dynamic Self-Testing® Overfill Prevention Systems

