



# Thermistor and Optic Sensors SP-M/SP-IO

Liquid Level Sensors For Storage Tanks and Other Fixed Applications

Featuring Dynacheck® – Automatic and Continuous Self-Checking Circuitry



SP-H Holder  
(for 1–3 sensors)



SP-O



SP-M Sensor



SP-IO Sensor

## DESCRIPTION

The Scully SP-M (thermistor) and SP-IO (optic) models are single point liquid level sensors for use with Scully ST-15 self-checking control monitors. They are used in storage tanks, double containment piping trenches, and double wall storage tank interstitial space monitoring. These reliable sensors have no moving parts and thus are virtually maintenance free.

The SP-M and SP-IO style sensors have a 3/8" NPT mounting thread and are generally used in conjunction with an SP-O or SP-H style holder. The sensors can be easily extended to the desired installation depth using standard 3/8" IPS pipe and a pipe coupling.

The SP-O elbow holder is generally used when a single sensing point is needed. It can accommodate either an SP-M or SP-IO sensor and mounts into a 3/4" NPT opening in the tank. The SP-H holder allows for up to 3 SP-M and/or SP-IO sensors to be conveniently installed into a single 2" NPT tank opening. SP-H holders are commonly used to implement multiple high-level and low-level warning points. Both sensor holders are threaded to accept a 1/2" NPT conduit fitting.

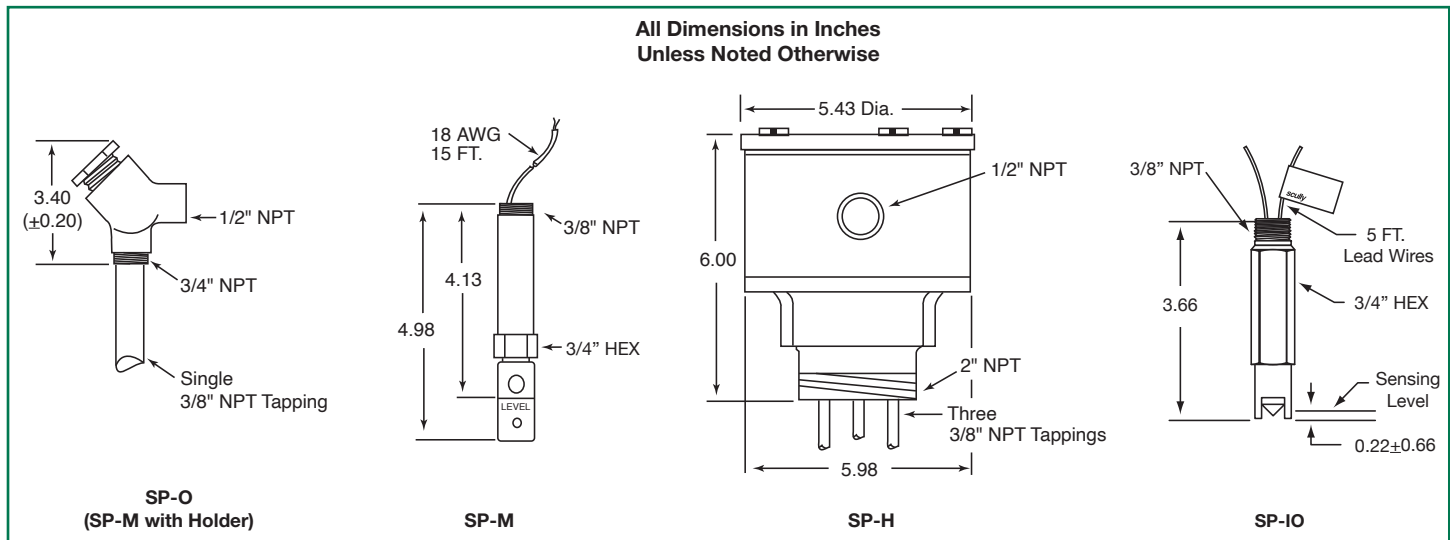
## FEATURES AND BENEFITS

- Maximum safety with Dynacheck®– Automatic and continuous self-checking circuitry when used with Scully monitoring systems.
- Field-proven, level-sensing technology.
- Reliable components with no moving parts.
- Functions within a wide range of temperatures and in a variety of liquid products.
- Years of dependable, virtually maintenance-free operation.
- Easy Installation.
- Custom sensing level adjustment at installation.
- FM approved.

**NOTE:** Scully Thermistor Sensors are available in three temperature ranges. (See reverse side for details). Consult Scully for more information.



## Liquid Level Sensors For Storage Tanks and Other Fixed Applications



### TECHNICAL SPECIFICATIONS

**Temperature Range:** **SP-M Style Sensors:**  
 Standard; 0° to +140°F (-18° to +60°C).  
 High; 0° to +200°F (-18° to +93°C).  
 Low; -40° to +120°F (-40° to +48°C).  
**SP-IO Style Sensor:**  
 -40°F to +140°F (-40°C to +60°C).

**Product Range:** Gasoline through #6 oil, and most low viscosity petro-chemical liquids.

**Level Responsibility:** +/- 1/16" (1.6mm).

**Size:** Refer to diagrams.

**Response Time:** 0.5 second maximum, refer to the controller specifications.

**Exposed Materials:** **Sensors:** Aluminum body, Borosilicate glass sensing element.  
**Holders:** Aluminum housings, Viton® seals (SP-H only).

**Electrical Connections:** Optic sensors have two- 5' leads. Low temp and Standard Thermistors have two- 15' leads. High temp Thermistors have three- 15' leads.

**Compatible Rack Controls:** Scully ST-15 Series and other stationary thermistor control units.

**Approvals:** Rated for Class I, Division 1, Groups C & D Hazardous Locations, by FM Global (FM) to Canadian and United States standards.

**NOTE:** The SP-H is designed to withstand pressures up to 400 psi.



### ORDERING INFORMATION

Item	Low Temp	High Temp	Standard
SP-H Multi-Sensor Holder (up to three sensors)			07436
SP-O Mounting Holder			09145
SP-O Mounting Holder with Thermistor Sensor	07997	07544	07510
SP-M Style Sensors	07996	07545	07611
SP-IO Style Sensors			08884

Copyright © 2023 Scully Signal Company. Dynacheck, Dynamic Self-Checking, Dynamic Self-Testing, Faylsafe, IntelliCheck, Intellitrol, Load-Anywhere are registered trademarks of Scully Signal Company. All Rights Reserved. Specifications are subject to change without notice.

03-2  
June 2023



**Scully Signal Company**  
 800 272 8559  
 sales@scully.com  
 Wilmington, MA, USA

**Scully Systems Europe NV**  
 +32 (0) 15 56 00 70  
 sales@scully.be  
 Mechelen, Belgium

**Scully UK Ltd**  
 +44 (0) 1606 553805  
 sales@scullyuk.com  
 Winsford Cheshire, UK

**Scully Systems India**  
 +91 9821799566  
 salesindia@scully.com  
 Maharashtra, India

Dynamic Self-Testing® Overfill Prevention Systems

