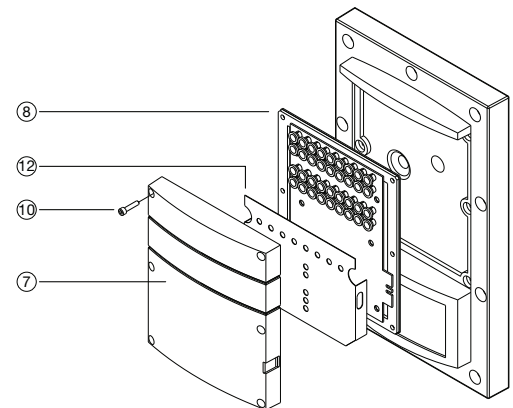
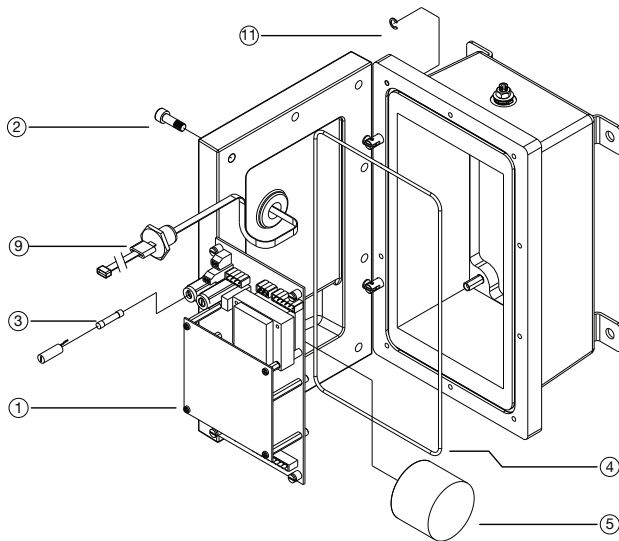


INTELLITROL- List of Replacement Parts

Item	Description	Part Number	Qty.
1	Module Assembly, IC-O	089790	1
	Module Assembly, IC-OG	089790G	
	Module Assembly, IC-OGV	089790GV	
2	Cover Bolt, M8 x 1.25 x 25mm	50005	10
3	Contact Fuse (F5, F8), 5A, Hi-interrupt	26372	2
4	Cover O-ring (gasket)	31340	1
5	Corrosion Inhibitor	40268	1
7	Lens Assembly (with 6 mounting screws)	08980	1
8	Display Module (with backing plate)	08981	1
9	Display Cable Feed-through	08982	1
10	Lens Mounting Screw, 8-32 x 3/4	50080	6
11	Retaining Ring, Cover Hinge	54039	2
12	Text Mask (English), Overfill and Ground	32085*	1
	Text Mask (English), Overfill, Ground and Vehicle ID	32086*	



63103 RevC

*To order lens mask in text other than English, add:

- S for Spanish
- F for French
- G for German
- I for Italian
- D for Danish

Example: 32085S = Lens Mask, Spanish Text, Overfill & Grounding